

**Astralite LED Variable Focus
Ceiling Mounted Minor Surgical Lamp**

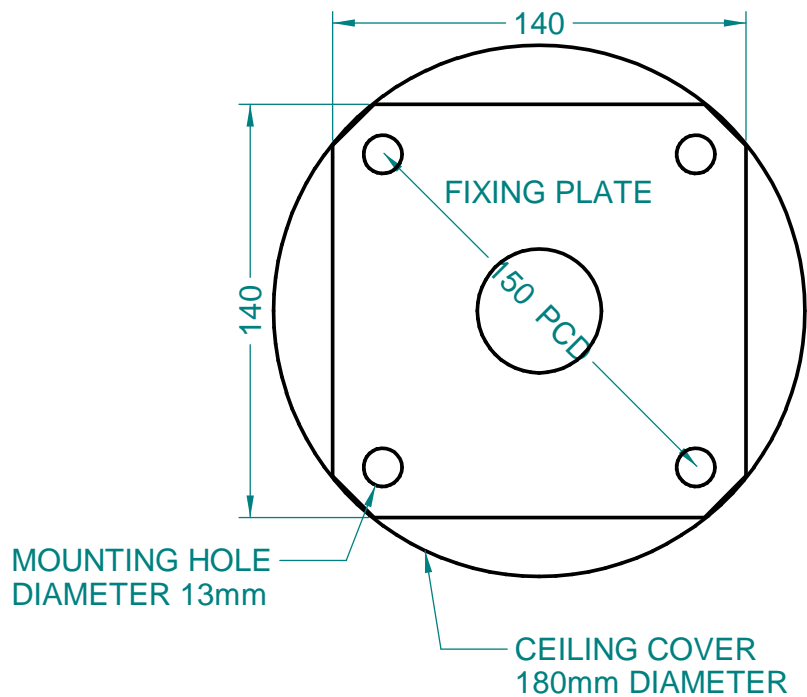
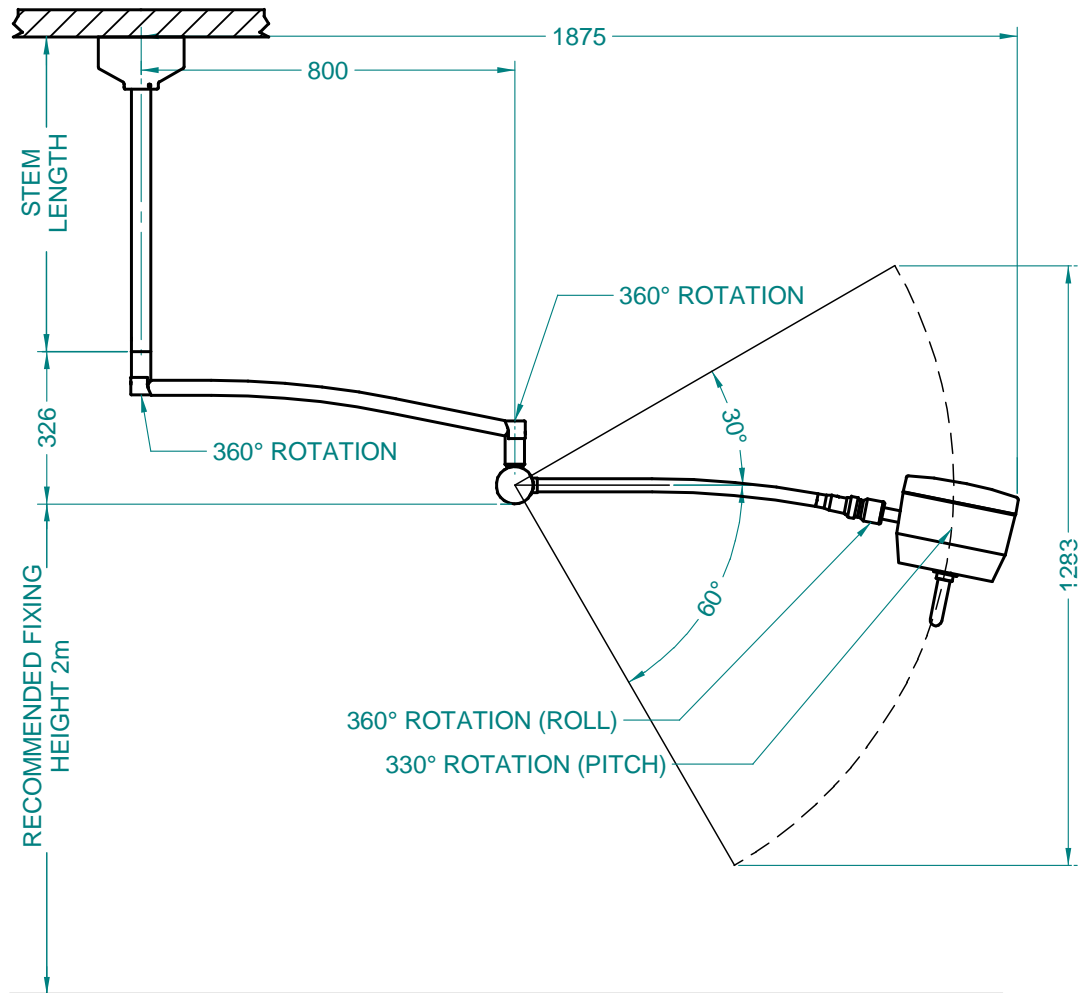


Lighting Details	
Number of light sources	13
Type of light source	High Definition LED (HD-LED)
Colour Rendition R _a (Av R ₁ -R ₈)	95
Colour Rendition R ₉ (red)	97
Colour Temperature	4,300°
Average bulb life	>40,000 hours
Light Intensity	50,000 Lux @ 1 meter
Light Intensity	65,000 Lux @ 0.8 meter
Field Size D ₁₀ @ 1 meter	360 to 180mm (variable)
Normal Working Distance	600mm - 1,400mm
Shadow-less Light Technique	Multiple LED elements
On/Off Switch	On yoke arm
Focus Control	On light head
Intensity Control 5% to 100%	On light head

Mechanical Details	
Light sources mounted in a self-coloured polycarbonate pod assembly. Fixed to a ceiling mounted suspension system.	
Nominal working distance	1 metre from light head
Rotational about central spindle	Unlimited 360°
Rotation about end of horizontal	Unlimited 360°
Lamp head roll rotation	Unlimited 360°
Lamp head pitch rotation	330°
Height Adjustment Up from Horizontal	470mm / 30°
Height Adjustment Down from Horizontal	810mm / 60°
Removable Sterilisable Handles	Sterilisable at 134°C
Weight of fitting	11.5 Kg
1 st Arm Radius	800mm
2 nd Arm Radius	1075mm
Total Arm Radius (Reach)	1875mm
Colour of Suspension Arms	White RAL 9010
Ceiling height greater than 300 cm	Use special ceiling cavity spacer
Ceiling height 300-260 cm	Model AL50CA
Ceiling height 260-245 cm	Model AL50CB
Ceiling height less than 245cm	Model AL50CC

Electrical Details	
Supply Voltage	230V ~ Fused 5A Supply
Power	35W Max
Electrical Classification	I
EU Conformance CE	93/42/EEC
Safety Approval	BS EN 60601

For more information contact Brandon Medical Co LTD
Holme Well Road, Leeds, LS10 4TQ, England.
Tel. +44 (0) 113 2777393 Fax. +44 (0) 113 2728844
E-mail enquiries@brandon-medical.com



As part of Brandon Medical policy of continuous improvement,
Brandon Medical reserves the right to change specifications as and when product improvements become available.

For more information contact Brandon Medical Co LTD
Holme Well Road, Leeds, LS10 4TQ, England.
Tel. +44 (0) 113 2777393 Fax. +44 (0) 113 2728844
E-mail enquiries@brandon-medical.com