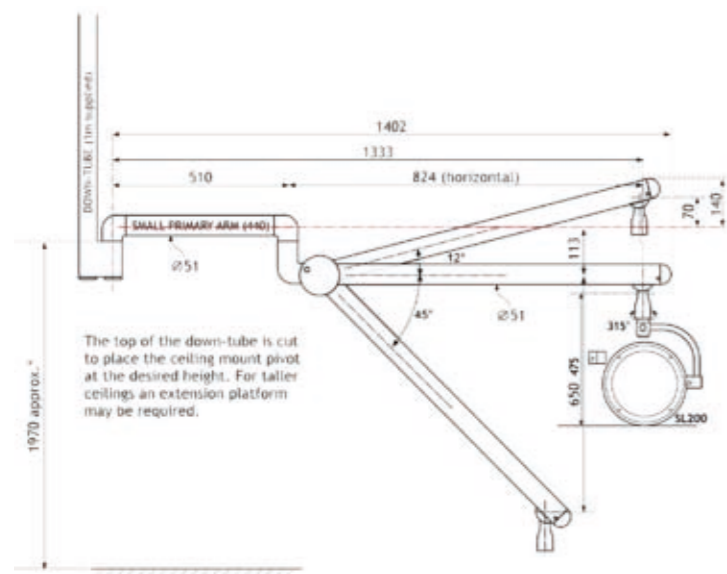


*Dimension suggestion. For specific applications or environments, the mounting bracket should be installed at a height so that, when fitted, the light-head is as near to the required position as possible.



*Dimension suggestion. For specific applications or environments, the mounting bracket should be installed at a height so that, when fitted, the light-head is as near to the required position as possible.

ABOUT DARAY

DARAY have been established in the medical, dental and veterinary markets since 1968 building exceptional and durable products.

We shall continue to innovate; aiming to excel in our endeavours to deliver reliable solutions.



BioProtect® is an antimicrobial solution coating applied to DARAY's products for infection control. Our core products are medical, dental and veterinary lighting used by specialist staff treating patients. Infection is the highest risk in patient environments. BioProtect® provides excellent protection against illness-causing bacteria such as MRSA, Salmonella, E. coli, Campylobacter and many other bacteria and fungal growths.

DARAY
HEALTHCARE PRODUCTS

www.daray.com

Tel: 0800 804 8384 Email: info@daray.co.uk

QAB-SL200M-7-1110

Daray make every effort to ensure that the information in this document is correct and accurate, however, we cannot be held responsible for errors and omissions. Daray reserves the right to alter specifications and to add and withdraw products without notice.

SL200

Minor surgery light
Technology that's clear to see



The DARAY SL200 is an invaluable tool for those conducting procedures under local anaesthetic in health centres, GP's surgeries and outpatient departments. The light is intense, has a perfectly shaped natural daylight coloured light-patch and excellent shadow reduction properties.

DARAY
HEALTHCARE PRODUCTS

www.daray.com

Tel: 0800 804 8384 Email: info@daray.co.uk

DARAY® Technology that's clear to see

Features

- A 205mm diameter reflector with specialised optical coating filters out 90% infrared radiation (heat) from the beam and emulates daylight so that skin tones look natural.
- Halogen Lamp. Specifically designed for high luminosity, accurate focusing and long life.
- A robust polycarbonate diffuser protects the light and gives excellent shadow reduction. It also reduces infrared radiation in the projected beam and enhances the light's appearance.
- Auto-balance suspension arm. State-of-the-art design permits light head of ceiling and wall models to move in any direction (up to 1,600mm radius) with ease and stability.
- Multiple variants. Mobile, wall-mounted and ceiling-mounted versions are all available.
- Variable intensity. All models feature variable intensity control.
- Double-walled housing. Ensures that the light-head is robust and stays at a low temperature.

Specifications

Light intensity	0 - 70,000 lux @ 1m
Colour rendering index	Ra96
Light-field diameter	18 cm
Colour temperature	4,200K
Supply voltage	230V 50/60 Hz
Lamp life	~1,300 h

Products available

SL200HA	DARAY SL200 light-head and suspension arm	These products require an additional mounting option. Please select from the following:
SL200HAMINI	An SL200 with reduced reach for small rooms or low ceilings	

Mounting options

XSC	Ceiling mount, down-tube and variable intensity controller
XSW	Wall mount and variable intensity controller
SL200E	Flush wall fitting (rear cable entry) Note: the SL200E must be installed by a qualified electrician
SL200M*	DARAY SL200 mobile with IEC inlet and flex

* Mobile models are 1600mm high and come with locking castors as standard

Options/accessories

CMDT	Down-tube cover for suspended ceilings
CMC	Ceiling mount cover for conventional ceilings
MSUPS	24V battery backup power system
LB4059	DARAY SL200 halogen bulb capsule 100W (x3)



Auto-balanced suspension arm

State-of-the-art design permits light-head of ceiling and wall models to move in any direction (up to 1,600mm radius) with ease and stability.

Multi-purpose

Ideal for surgery, ophthalmology, OBS delivery operation, diagnostics and gynaecology. Also suitable for use within casualty departments and intensive care units.

BioProtect® handle

Eliminates the need to remove the handle for sterilising in an autoclave.