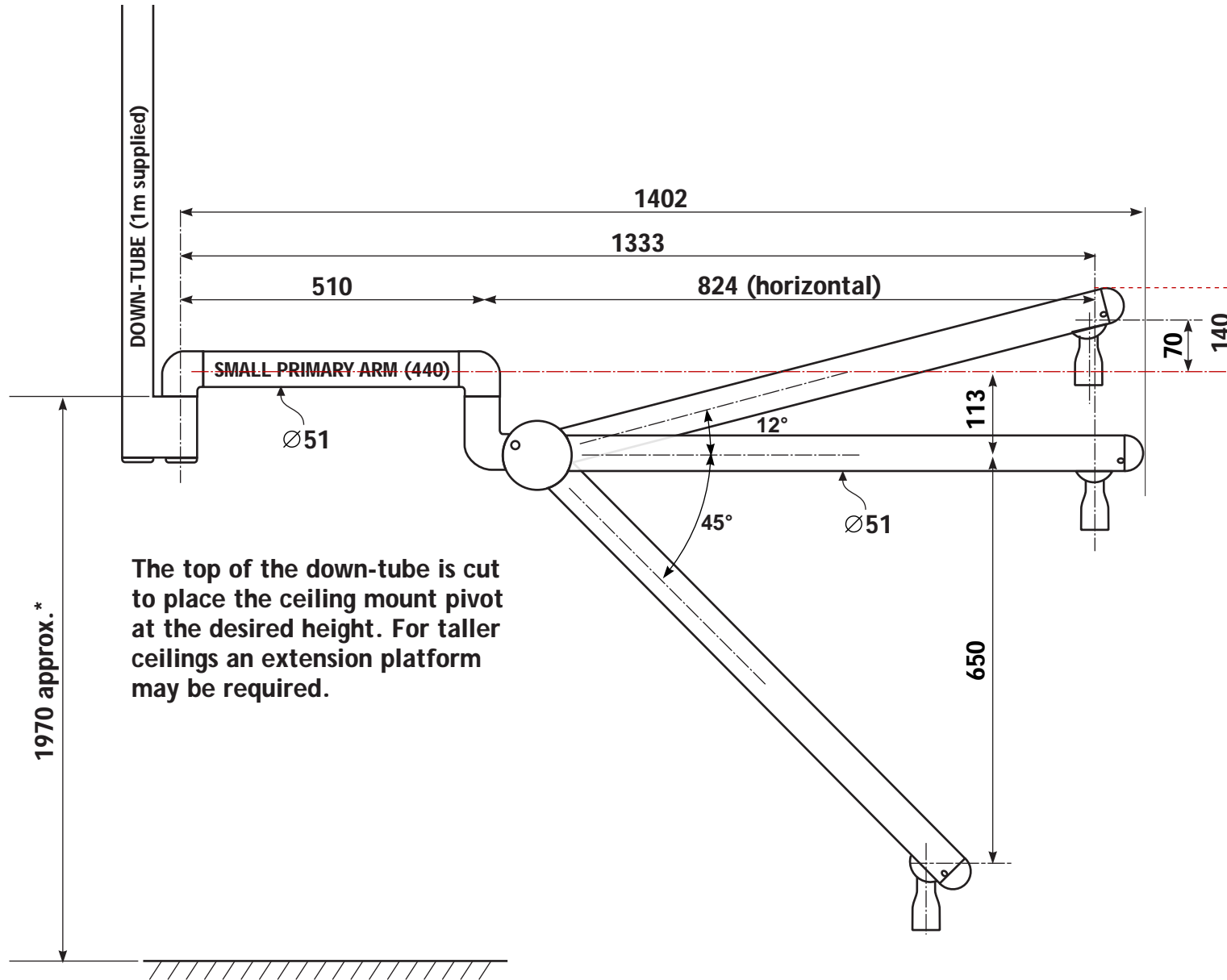


*Dimension suggestion. For specific applications or environments, the mounting bracket should be installed at a height so that, when fitted, the light-head is as near to the required position as possible.



The top of the down-tube is cut to place the ceiling mount pivot at the desired height. For taller ceilings an extension platform may be required.

*Dimension suggestion. For specific applications or environments, the mounting bracket should be installed at a height so that, when fitted, the light-head is as near to the required position as possible.